

INSTRUCTIONS BOOKLET

LIVRET D'INSTRUCTIONS
MANUAL DE INSTRUCCIONES

Cod. 110030242 - WALL HOOD

Ed. 2008

Dear Sir/Madam, congratulations!

You have purchased a prestigious range hood of guaranteed quality. For best results, we suggest that you carefully follow the operating and maintenance instructions provided in this booklet; in addition, to order spare charcoal filters, use the special coupon on the cover.

Chère Madame/Cher Monsieur, félicitations!

Vous venez d'acheter une hotte haut de gamme. Pour en tirer les performances les meilleures veuillez lire avec attention le mode d'emploi et la maintenance que vous trouvez dans ce manuel ; pour commander les filtres de rechange au carbone actif veuillez vous servir du coupon annexé à la couverture.

Enhorabuena Señora/Señor!

Ha comprado una campana extractora de prestigio y calidad segura. Para que pueda obtener las mejores prestaciones, le sugerimos seguir con atención las instrucciones contenidas en este manual para el uso y el mantenimiento. Para pedir los filtros de recambio de carbón activo, utilice el cupón adjunto a la cubierta.

Product code
ARAFX30W5*SS
ARAFX36W5*SS
ARART24W4*SG
ARARX30W5*SG
ARARX36W5*SG
FDCON48W5*SS
FDCON36W5*SS
FDCON30W5*SS
FD FUT48W5*SS
FD FUT36W5*SS
FDINT48W5*SS
FDINT36W5*SS
FFKRS48W5*FG
FFKRS36W5*FG
FDKRS36W5*SG
FDKRS48W5*SG
FDLGO36W5*SS
FDLNE48W5*SS
FDLNE36W5*SS
FDMIZ30W5*SS
FDMIZ36W5*SS
ARMEX48W5*SS
ARMEX30W5*SS
ARMEX36W5*SS
FDOND36W5*SS
FDOND36W5*SG
FFPLN48W5*FS
FFPLN36W5*FS
ARSAX30W5*SG
ARSAX36W5SG

FFSYM48W5*FS
FFSYM36W5*FS
FFALT24W5*FS
ARVUX24W5*SS
ARVUX30W5*SS
ARVUX36W5*SS
FDDIA36W5*SS
FDLGO30W5*SS
FDADR36W5*SG
FDLUM36W5*SS
FDLUM48W5*SS
FDASL36W5*SG
FDIRD36W5*SS
ARART24W4*SG
ARTRA30W4*SS
ARTRA36W4*SS
FFPLN36W5*FS
FFPLN48W5*FS
FDLGO36W5*SS
FDCON30W5*SS
FDASL36W5*SG

* 4 or 5

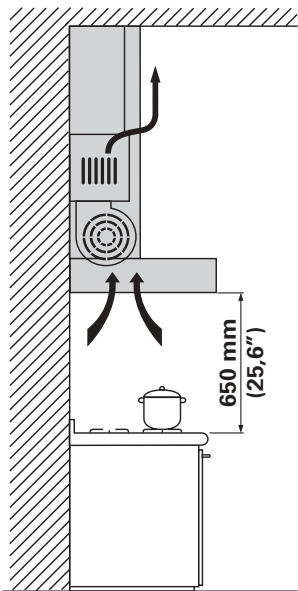
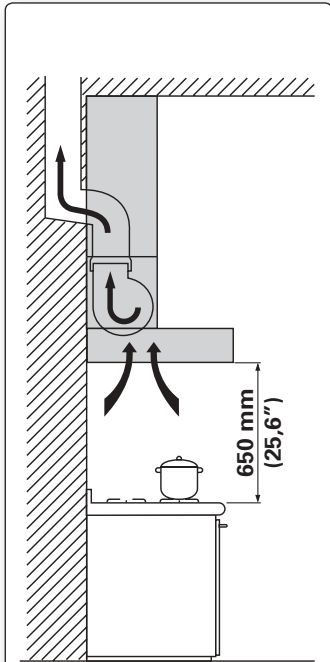


Fig. C

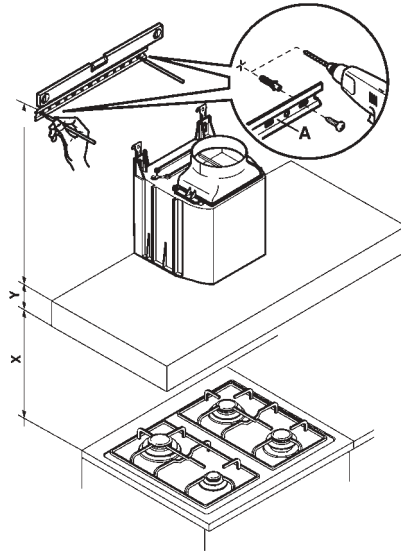


Fig. O1

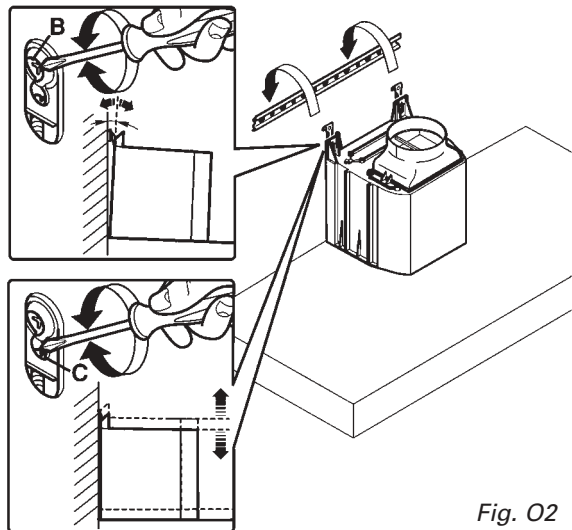


Fig. O2

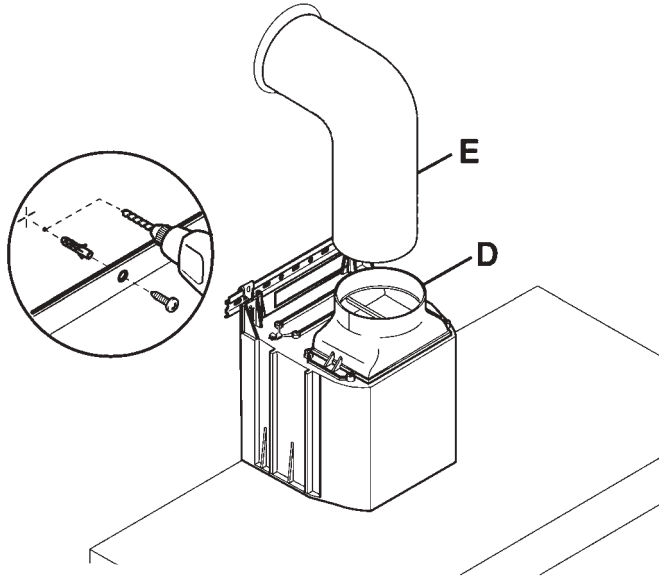


Fig. 03

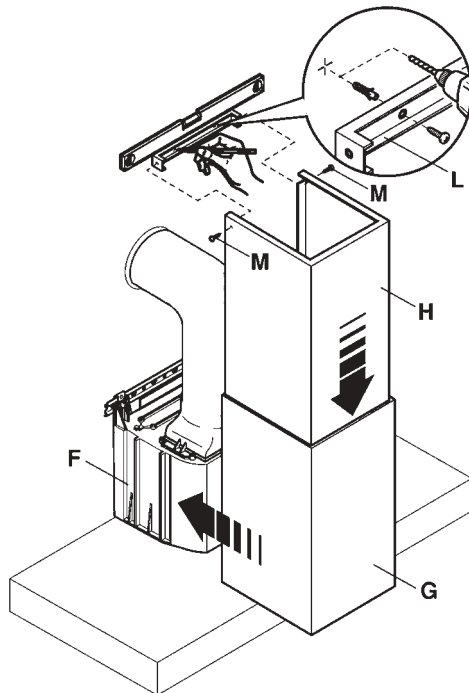


Fig. 04

ISTRUZIONI PER PANNELLO REMOVIBILE
INSTRUCTION FOR REMOVABLE PANEL

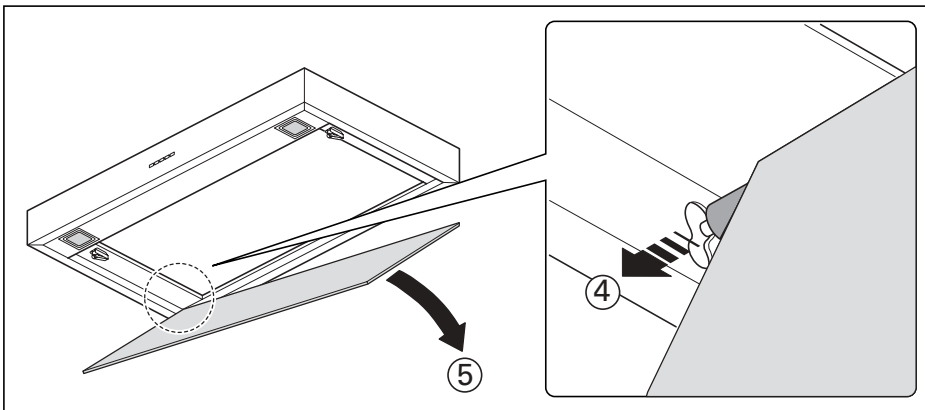
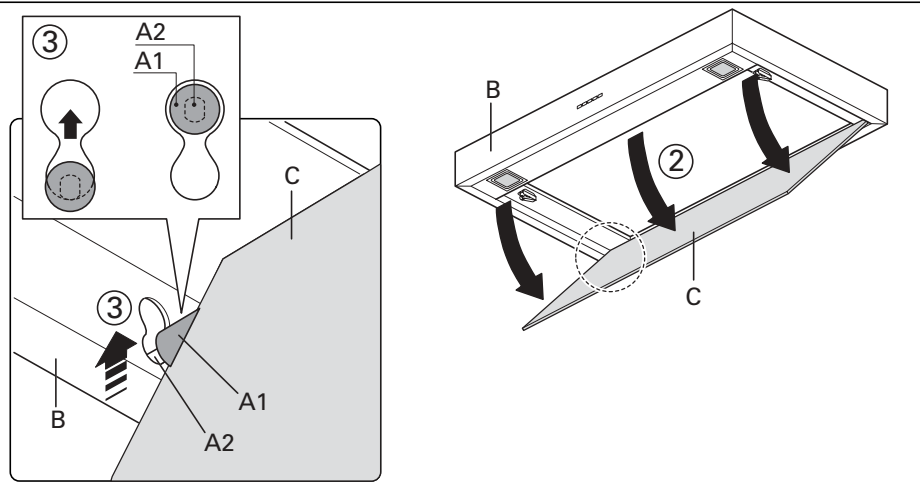
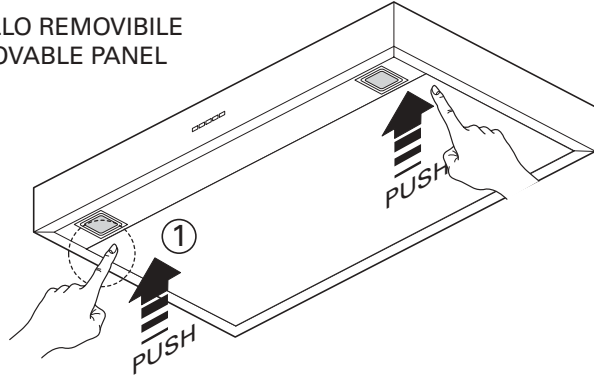


Fig. H3

A**WARNINGS**

This instruction booklet must be kept together with the appliance for future reference. If the appliance is sold or consigned to other parties, check that the booklet is supplied with it, to ensure that the new user has the correct information on the operation of the range hood and is aware of the warnings. These warnings have been provided for the your safety and the safety of others. As a result, please read them carefully before installing and operating the appliance.

This appliance is not intended for use by young children or infirm persons unless they have been adequately supervised by a responsible person to ensure that they can use the appliance safely. Young children should be supervised to ensure they do not play with the appliance.

The appliance must be installed by qualified personnel, in accordance with national and local safety regulations the standards in force. If the supply cord is damaged, it must be re-placed by the manufacturer, its service agent or similarly qualified persons in order to avoid a hazard. Any modifications that may be required to the electrical system for the installation of the range hood must only be made by qualified electricians.

It is dangerous to modify or attempt to modify the characteristics of this system. In the event of malfunctions or if repairs are required to the appliance, do not attempt to solve the problems directly.

Repairs performed by unqualified persons may cause damage. For all repair and other work on the appliance, contact an authorised service/spare parts centre.

Always check that all the electrical parts (lights, exhaust device), are off when the appliance is not being used. Read the entire instruction booklet before performing any operations on the range hood.

The manufacturer can not be held responsible for unauthorized work. Ensure that power to the appliance is OFF while installation or repair work is performed.

Verify that the voltage, load and circuit rating information found on the data plate (located behind the grease filter), match the household electrical supply before installing the hood.

The range hood must only be used for the exhaust of cooking fumes in home kitchens. The manufacturer disclaims all liability for any other use of the appliance.

The maximum weight of any object placed above the hood, or hung to it (if possible) must not exceed 1,5 kilos. After installing the stainless steel hood, clean it in order to remove any residue of the protective glue, and stains of grease or oil. The manufacturer recommends its cleaning cloth available for purchase. The manufacturer accepts no liability in case of damage caused by the use of different detergent types.

B

TECHNICAL SPECIFICATIONS

The technical data pertaining to the electric appliance The technical specifications of the appliance are shown on the rating plates located inside the range hood.

C

INSTALLATION

(Section reserved for qualified installers of the range hood)

Minimum distance: distance between the main top of the cooking appliance and the bottom-most section of the hood. When the hood is positioned above a gas appliance this minimum distance must be at least 65 cm (25,6") (see fig. C) or more importantly, check the distances specified for the gas cooking appliance.

In the outside exhaust version, the diameter of the entire duct run must be no smaller than the range hood connection.

In the horizontal duct run, the duct must slope slightly (around 10%) upwards, so as to better ventilate the air outside of the room.

Avoid using angled pipes/elbows where possible. To optimize performance, keep the duct run as straight and short as possible. Galvanized metal ducting is recommended.

Comply with the current regulations on air discharge into the atmosphere.

If a boiler, stove, fireplace, etc. that uses gas or other fuels is being used at the same time, make sure the room where the fumes are extracted is well ventilated, in compliance with the current regulations.

Mounting instruction: see section "O" of the booklet.

D

ELECTRICAL CONNECTIONS

(Section reserved for qualified installers)

WARNING!

Before doing any work inside the range hood, disconnect the appliance from the mains power supply.

Check that the wires inside the range hood are not disconnected or cut; if this is the case, contact your nearest service centre. The electrical connections must be performed by qualified personnel.

The connections must be performed in compliance with the legal standards in force. Check that the receptacle and wiring are able to support the load of the appliance (see the technical specifications in point B).

THIS APPLIANCE MUST BE GROUNDED.

Important:

The hood comes equipped with a 5 ft(1.5 m) power cord with a NEMA 5-15 molded plug for connection to a 120 VAC, 60 Hz, 15 A power outlet. This outlet must be located in the duct cover area above the hood.

Some types of appliance are supplied with a cable without plug; in this case, "standardised" or a junction box must be used, keeping in mind that:

- the yellow/green wire must be used for the earth,

- the blue/white wire must be used for the neutral,
- the brown/black wire must be used for the phase; the cable must not come into contact with hot parts (over 75°C).
- fit a plug that is suitable for the load to the power cable, and connect it to a suitable power outlet.

If local codes permit, the power cord may be removed and the hood may be connected to a hard wired electrical connection. If there is any question concerning the electrical connection of this appliance to your power supply, please consult a licensed electrician.

For appliances that come supplied with cable and plug please ensure they are plugged into a circuit suitable for this appliance.

Please refer to a qualified person. (See technical specifications in point B).

The manufacturer declines all liability if the safety standards are not observed.

E

RANGE HOOD WITH OUTSIDE DISCHARGE (exhaust)

In this application, the fumes and steam from the kitchen are vented outside through an exhaust duct.

The exhaust conveyor that protrudes from the upper part of the range hood must be connected to a duct that carries the fumes and steam outside. In this application, the charcoal filters, if fitted, should be removed; to do this, see the instructions in point F. There must be adequate ventilation of the room when the range hood is used at the same time as appliances burning gas or other fuels, according to the standard.

Deviation for Germany:

When the range hood and appliances supplied with energy other than electricity are simultaneously in operation, the negative pressure in the room must not exceed 4 Pa (4x10 E-5 bar).

F

RECIRCULATING RANGE HOOD (with filter)

In this application, the air passes through charcoal filters for purification, and is then recirculated back into the kitchen.

Check that the charcoal filters are fitted to the motor, and if not, install them as described in the instructions in point H.

If the hood is of filtering type, remove the non-return valve fitted at the motor's outlet.



For maximum efficiency, the third speed should be used when there are strong odours or a lot of steam, the second speed in normal conditions, and the first speed for keeping the air clean with minimum energy consumption. The range hood should be switched on when starting to cook, and left on until the odours disappear.

G OPERATION

1. TWO BUTTON CONTROL PANEL

LIGHT - Switch A

Position 0: the light is off.

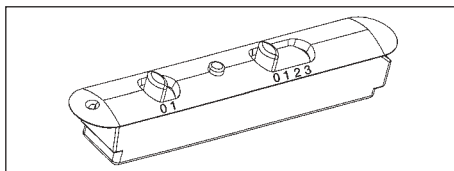
Position 1: the light is on.

SPEED - Switch B

This is used to start and set the speed of the motor, from 1 to 3, or with continuous speed variator, depending on the version.

LIGHT - C

Motor operation indicator light.



2. FIVE BUTTON CONTROL PANEL

LIGHT- button

Pressed: the light is on

Released: the light is off

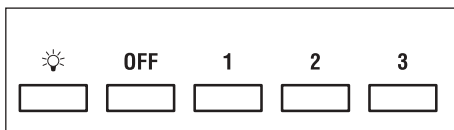
MOTOR button - 1, 2, 3, OFF

1: starts the motor at minimum speed

2: starts the motor at medium speed

3: starts the motor at maximum speed

OFF: stops the motor



3. ELECTRONIC CONTROL PANEL

Light pushbutton

• ON: light on (the pushbutton is lit);

• OFF: light off;

Pushbutton -

Press to reduce motor speed

Speed 1, 2 and 3 are indicated by the number of LEDs that light up (excluding the light and the timer LEDs).

Pushbutton +

Press to increase motor speed. Speed 1, 2 and 3 are indicated by the number of LEDs that light up (excluding the light and the timer LEDs).

(In the 4-speed version the pushbutton + blinks. The fourth speed remains on for a set duration of time. After 15 minutes the motor returns to the third speed).

Mode pushbutton

Function: it turns hood motor on and off.

The function “**desired speed**” enables to start the motor at the speed that was selected before the hood was last turned off.

Optional: *version with remote control (some versions only).*

WARNING:

Install the hood away from sources of electromagnetic waves, as these could affect the correct operation of the electronic system.

Maximum operating distance: 5 metres. The maximum operating distance could be less than 5 metres in case of electromagnetic interference by other equipment.

Light pushbutton on remote control: light on/off.

– and + pushbutton: increase/decrease speed (to start the motor press either the + or the – pushbutton).

Timer pushbutton: see instructions below.

Instructions for changing the code (only in case of malfunctions caused by interferences):

Disconnect the hood from the power supply

Remove the cover of the remote control, change the code with the levers.

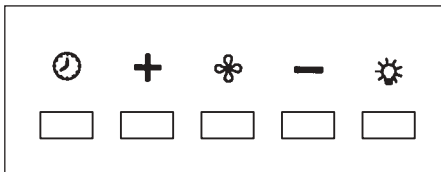
Connect the hood to the power supply and make sure the lights and the motors are off.

Press the timer pushbutton for 2 seconds. When the red LED of the control panel lights up press any of the buttons on the control panel.

Timer and ‘filter clogged’ alarm pushbutton

- This function allows the automatic turning off of the hood after running for 15 minutes at the speed previously set (the pushbutton shows a flickering light).

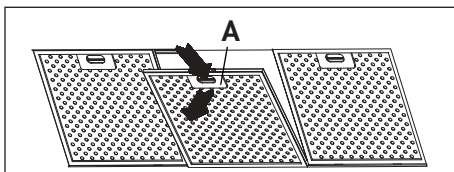
- After about 30 hours of running the pushbutton indicates the need for washing the metal filters (the pushbutton shows a solid red light). To disable the alarm press the pushbutton for a few seconds until the red light turns off. Then turn the hood off and on again to check that the alarm has disappeared.



H **FILTERS REMOVING AND REPLACING'S INSTRUCTIONS**

1. METAL FILTERS

To remove the metal grease-trapping filter, simply pull the handle A until releasing it from the front guide; then tilt it slightly downwards, and slide it out of the rear guide. To reposition the filter, repeat the operation in the reverse order.



2. CHARCOAL FILTERS

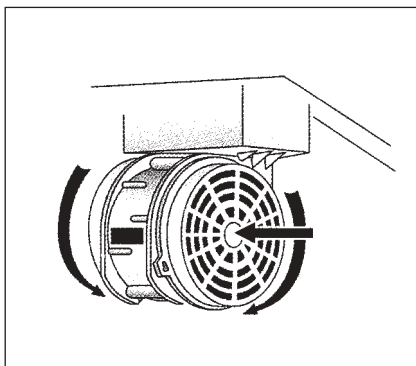
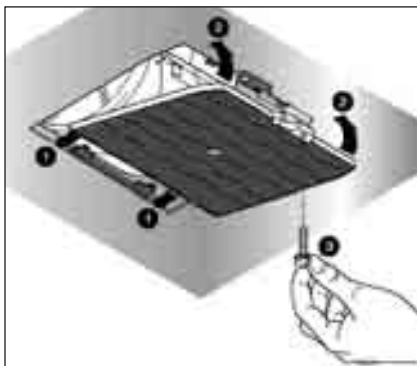
To replace the charcoal filters, proceed as follows: remove the metal filters as described above. The two filters located at the ends of the motor can now be easily accessed.

To install the new filters see picture.

In case of hood with the motor box the filter is located on the bottom part of the motor box.

To install the new filters see picture.

To order new filters, use the coupon enclosed with this booklet or provided by the distributor.



3. REMOVABLE PANEL

Follow the instructions on fig. H3 to remove the panel.

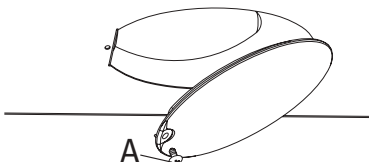


LIGHTING ASSEMBLY AND REPLACEMENT

1. LIGHT BULB

To replace the light bulb:

- Make sure the appliance is disconnected from the mains power supply.
- Unscrew the support screw A and remove the light cover.
- Replace the light bulb with the same model as the original (max 25 W, see the markings near the light).



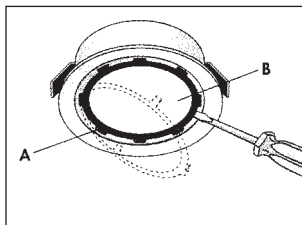


WARNING! Light bulbs with different shapes and power ratings from the original may seriously damage the light compartment.

2. SPOTLIGHT

To replace the lamp ("Round halogen light"):

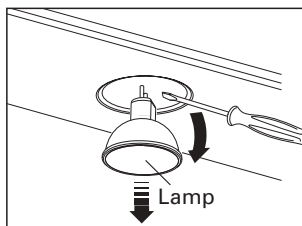
- Make sure the appliance is disconnected from the mains power supply.
- Remove, by levering with a screwdriver, the support ring A for the cover glass.
- Remove the cover glass B to access the light compartment.
- Replace the lamp with the same type (halogen, max 20 W, 12 Volt, G4 fitting).
- Replace the glass cover B and fasten it using the special ring A.



Round halogen light

How to replace the dichroic lamp:

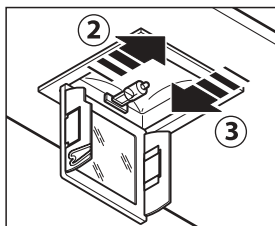
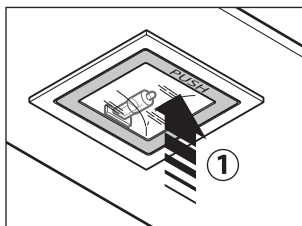
- Check that the equipment is disconnected from the power supply.
- Remove the lamp with the help of a screwdriver (see figure)
- Replace the lamp with a similar one (dichroic, max 20 W, 12 Volt).



Dichroic spot

How to replace a square halogen light:

- Check that the equipment is disconnected from the power supply.
- Open the panel completely till 90° (see figure)** pressing the PUSH button
- Replace the lamp with a similar one (halogen, max 20 W, 12 Volt, G4 connection).
- Close the panel. If the panel does not close correctly repeat the operation at point b.



Square halogen light

3. FLUORESCENT TUBE

(Section reserved for qualified installers)

Replacing the fluorescent tube:

- a) Disconnect the device from the mains;
- b) Unscrew the fixing screws and remove the bottom panel;
- c) Remove the fluorescent tube, by rotating through 90°, and replace it with one of similar features (8W-13W-21W-28W according with the model);
- d) Reconnect the device to the mains.



MAINTENANCE AND CLEANING

Constant maintenance ensures the correct operation and efficiency of the appliance over time. Special attention should be paid to the metal grease-trapping filters and the charcoal filters. Frequent cleaning of the filters and their supports will ensure that fats and grease do not accumulate on the range hood, with the consequent risk of fire.

1. METAL GREASE-TRAPPING FILTERS

These trap the fat and grease particles suspended in the air, and therefore should be washed every month in hot water and detergent, without bending them. Wait until they are completely dry before repositioning them.

To remove and replace these filters, see the instructions in point H1. This operation should be performed at regular intervals.

2. CHARCOAL FILTERS

These trap the odours present in the stream of air that passes through them. The air is purified by passing a number of times through the filters and being recirculated into the kitchen. The charcoal filters cannot be cleaned, and should be replaced on average every 3-4 months (according to use). To replace the charcoal filters, see the instructions in point H2.

3. CLEANING THE OUTSIDE OF THE APPLIANCE

The outside of the range hood should be cleaned using a damp cloth and neutral liquid detergent or denatured alcohol.

In case of fingerprint-less finish (façade) clean only with water and neutral soap using clean with a soft cloth, rinse and wipe dry thoroughly. Do not use products that contain abrasive substances, rough cloths or cloths specifically designed for cleaning steel. Using abrasive substances or rough cloths will inevitably damage the finish of steel. The steel surface will be irrevocably damaged if the instructions above are not complied with. Keep these instructions together with the instructions for use of your hood.

The manufacturer accepts no liability for any damage caused by non-compliance with the instructions above.

4. CLEANING THE INSIDE OF THE APPLIANCE

The electrical parts or parts of the motor assembly inside the range hood must not be cleaned using liquids or solvents.



Do not use abrasive products.

All the above operations must be performed after having disconnected the appliance from the mains power supply.

M SAFETY WARNINGS



The electrical system features an earth connection in compliance with international safety standards; furthermore, it is compliant with the European standard for electromagnetic compatibility.

Do not connect the appliance to flues (from boilers, fireplaces, etc.). Make sure the mains voltage corresponds to the values on the rating plate located inside the range hood. The minimum safety distance between the cooktop and the range hood must be at least 65 cm (25,6").

Never cook on "open" flames under the range hood.

Check deep-fryers during use: superheated oil may be flammable.

- Ensure there is adequate ventilation of the room when the rangehood is used at the same time as appliances burning gas or other fuels.
- Do not flambe under the rangehood
- The exhaust air must not be discharged into a flue which is used for exhausting fumes from appliances burning gas or other fuels.
- Ensure that all regulations concerning the discharge of exhaust air have been fulfilled before you use the appliance.



Before performing any cleaning or maintenance operations, disconnect the appliance by unplugging it or using the main switch. The manufacturer disclaims all liability for any damage that may be directly or indirectly caused to people, things and animals due to the failure to follow all the instructions provided in this booklet and above all the warnings relating to the installation, operation and maintenance of the appliance.

N WARRANTY

The new equipment is covered by warranty.

The warranty conditions are provided by the distributor.



The manufacturer is not liable for any inaccuracies in this booklet resulting from printing or transcription errors. The manufacturer reserves the right to modify its products as it considers necessary or in the interests of the user, without compromising their essential safety and operating characteristics.

O MOUNTING INSTRUCTIONS, RANGE HOODS WITH BOX

Step 1

- Rest the support bar against the wall (A-Fig. O1) at a height from the cooktop determined by the sum of the distance $X+Y+310\text{mm}$.
- Check the horizontal alignment with a spirit level and mark the 2 holes to be drilled at the ends of the bar.
- Drill the holes, insert 2 x 8mm dia. screw anchors, and fasten the bar using the corresponding screws.

Step 2

- Hook the range hood to the support bar (Fig. O2).

- Adjust the alignment of the range hood using the screws on the brackets (Fig. O2). The top screw (B) adjust the distance from the wall, the bottom screw (C) adjust the height.

Step 3

- To avoid hood unhooking due to underneath pressure, fix it to the wall with a screw anchor and related screw, by using the appropriate holes at the back of the hood or the cope flasks.

Step 4

Place element (G) onto the chimney until is fully inserted.

- Fix the extension (H) to element (G), sliding it to the desired height.
- Once having found the optimum position, rest the bracket (L) against the wall, check the horizontal alignment using a spirit level and mark the 2 holes to be drilled at the ends.
- Drill the holes, insert 2 x 4mm dia. screw anchors and fasten the bracket (L) using the corresponding screws.
- Tighten the extension (H) to the bracket (L) using the screws (M).



LIVRET D'INSTRUCTIONS



AVERTISSEMENTS



Conserver cette notice avec l'appareil pour pouvoir la consulter en cas de besoin.

Si l'appareil est vendu ou cédé à tiers, veiller à ce que la notice soit fournie en même temps pour que le nouvel utilisateur puisse avoir toutes les indications concernant le fonctionnement de la hotte et les avertissements correspondants.

La notice a été rédigée pour votre sécurité et celle d'autrui. Nous vous prions donc de la lire attentivement avant de monter et d'utiliser l'appareil.

Les enfants ou les handicapés ne doivent se servir de l'appareil que sous la surveillance d'une personne responsable pouvant s'assurer qu'ils l'utilisent en toute sécurité.

Veiller à ce que les enfants ne jouent pas avec l'appareil.

L'appareil doit être monté par un installateur compétent et qualifié, conformément aux réglementations locales et nationales en vigueur en matière de sécurité.

Si le câble d'alimentation est abîmé, demander au fabricant, à un Service après-vente agréé ou à une personne expérimentée de le remplacer afin de prévenir tout risque de danger.

Les modifications éventuelles de l'installation électrique, qui s'avèrent nécessaires pour monter la hotte, doivent être faites par du personnel compétent.

Il est dangereux de modifier ou d'essayer de modifier les caractéristiques de cette installation. En cas de panne ou de mauvais fonctionnement de l'appareil, ne pas essayer de résoudre le problème mais s'adresser au Service après-vente agréé.

Les réparations faites par des personnes non compétentes peuvent abîmer l'appareil.

Pour toute intervention, s'adresser à un Service après-vente agréé en mesure de fournir les pièces détachées.

Toujours vérifier si les parties électriques, (lumières, aspirateur) sont éteintes quand l'appareil n'est pas utilisé. Lire entièrement la notice avant d'effectuer une opération quelconque sur la hotte.

Le fabricant décline toute responsabilité en cas d'opérations non autorisées.

S'assurer que l'alimentation électrique de l'appareil est bien débranchée avant de commencer toutes opérations d'installation ou de réparation.

Vérifier que les valeurs nominales de tension, charge et circuit indiquées sur la plaque signalétique (située derrière le filtre à graisse) correspondent bien à l'alimentation électrique du réseau avant d'installer la hotte.

La hotte s'utilise de la même façon que les aspirateurs des fumées de cuisson au-dessus des cuisinières domestiques.

Le fabricant décline toute responsabilité en cas d'usage impropre.

Le poids maximal des objets éventuels placés ou suspendus (quand c'est prévu) sur la hotte ne doit pas dépasser 1,5 kg.

Après avoir monté la hotte en acier inox, la nettoyer pour éliminer les résidus

de colle ou de produit de protection et les taches de graisse ou d'huile.
Pour exécuter cette opération, le constructeur recommande l'utilisation des lingettes détergentes fournies avec la lampe.
Le fabricant décline toute responsabilité pour les dommages éventuels en cas d'emploi d'autres types de détergents.

B CARACTÉRISTIQUES TECHNIQUES

Les données techniques de l'appareil sont reportées sur les plaques qui se trouvent à l'intérieur de la hotte.

C MONTAGE

(partie réservée au personnel qualifié pour le montage de la hotte)

Distance minimale : distance entre la partie la plus haute de l'appareil de cuisson et la partie la plus basse de la hotte de cuisine.

Quand la hotte de cuisine est placée au-dessus d'un appareil de cuisson à gaz, cette distance doit être d'au moins 65 cm (25,6") (voir figure C). Il est conseillé de vérifier les distances indiquées pour l'appareil de cuisson à gaz. Si la notice de l'appareil de cuisson à gaz indique une distance supérieure, il faut en tenir compte. Dans la version aspirante, le tuyau complet de sortie des fumées doit avoir un diamètre non inférieur à celui du raccord de la hotte.

Dans les segments horizontaux, le tuyau doit être légèrement incliné (environ 10%) vers le haut pour mieux acheminer l'air vers l'extérieur du local.

Réduire au minimum l'utilisation de tuyaux en angle et les coudes, si possible. Pour optimiser les performances, installer le tuyau le plus court et le plus droit possible. Il est conseillé d'utiliser des tuyaux galvanisés.

Respecter les normes en vigueur sur l'évacuation de l'air à l'extérieur.

Si la hotte fonctionne en même temps que d'autres appareils alimentés au gaz ou avec d'autres combustibles (chaudières, poêles, cheminées, etc.), s'assurer que le local où a lieu l'aspiration des fumées est bien aéré, conformément aux normes en vigueur.

Instructions de montage : voir section "O" de la présente notice.

D BRANCHEMENT ÉLECTRIQUE

(partie réservée au personnel qualifié pour le branchement)

ATTENTION!

Toujours débrancher l'appareil avant de faire une opération quelconque à l'intérieur de la hotte.

S'assurer qu'aucun fil n'est débranché ou coupé ; si c'est le cas, contacter le Service après-vente le plus proche.

S'adresser à du personnel qualifié pour le branchement électrique.

Les branchements doivent être effectués conformément aux dispositions de loi en vigueur. Vérifier si le disjoncteur et l'installation électrique peuvent supporter la charge de l'appareil (voir plaque des caractéristiques techniques au point B).

CET APPAREIL DOIT ÊTRE CONNECTÉ À UNE INSTALLATION DE MISE À LA TERRE.

Important:

La hotte est fournie équipée d'un câble d'alimentation de 1,5 m (5 pieds) avec une fiche moulée NEMA 5-15 pour la connexion à une prise de courant de 120 Vca, 60 Hz, 15 A.

Cette prise de courant doit être située dans la zone de la couverture du tuyau d'évacuation au-dessus de la hotte.

Certains appareils peuvent être munis d'un câble sans fiche ; la fiche à utiliser doit dans ce cas être de type « standardisé » en tenant compte que:

- le fil jaune/vert doit être utilisé pour la mise à la terre;
- le fil bleu/blanc doit être utilisé pour le neutre;
- le fil marron/noir doit être utilisé pour la phase, le câble ne doit pas être en contact avec les parties chaudes ayant une température supérieure à 75°C ;
- monter une fiche adaptée à la charge sur le câble d'alimentation et la brancher à une fiche de sécurité appropriée.

Si les dispositions locales le permettent, il est possible d'enlever le câble d'alimentation et connecter la hotte à une connexion électrique à fil.

En cas de doutes sur la connexion de l'appareil au réseau électrique, il est conseillé de consulter un électricien qualifié autorisé.

Si un appareil fixe n'est pas muni d'un câble d'alimentation et d'une fiche, ou d'un autre dispositif pour le débrancher, avec une distance d'ouverture des contacts permettant la coupure de courant totale en cas de surtension, catégorie III, les instructions doivent indiquer que ces dispositifs de coupure doivent être prévus dans le réseau d'alimentation, conformément aux règles d'installation. Le câble de terre jaune/vert ne doit pas être interrompu par l'interrupteur.

Avant de brancher l'appareil, vérifier si :

- la tension d'alimentation correspond à celle indiquée sur la plaque caractéristiques techniques ;
- la prise de terre est correcte et fonctionnelle ;
- le système d'alimentation est muni d'un branchement à la terre efficace, conformément aux normes en vigueur ;
- la prise ou l'interrupteur omnipolaire sont faciles à atteindre lorsque l'appareil est monté.

Le fabricant décline toute responsabilité si les normes de sécurité ne sont pas respectées.

E

HOTTE VERSION À ÉVACUATION EXTÉRIEURE (aspirante)

Dans cette version, les fumées et les vapeurs de cuisine doivent être acheminées vers l'extérieur par un tuyau d'évacuation.

Le convoyeur d'évacuation qui dépasse en haut de la hotte doit être relié à un tuyau qui conduit les fumées et les vapeurs vers une sortie extérieure.

Il faut enlever les filtres au charbon actif s'ils sont prévus ; pour les extraire, voir les instructions reportées au point F.

Le local doit être suffisamment aéré, conformément aux normes en vigueur, si la hotte est utilisée en même temps que d'autres appareils qui fonctionnent au gaz ou avec d'autres combustibles.

Indication spécifique pour l'Allemagne :

Quand la hotte fonctionne en même temps que des appareils alimentés avec de l'énergie autre que celle électrique, la pression négative dans le local ne doit pas dépasser les 4 Pa (4×10^{-5} bar).

F

HOTTE VERSION À RECYCLAGE D'AIR (filtrante)

Dans cette version, l'air passe à travers les filtres au charbon actif pour être purifié et recyclé dans la cuisine.

Vérifier si les filtres au charbon actif sont montés sur le moteur, si ce n'est pas le cas, les monter comme indiqué au point H.

Lorsque la hotte est en modalité de filtrage enlevez la soupape de non retour placée sur le raccordement du moteur en sortie.



Pour que le rendement soit optimal, il est conseillé d'utiliser la troisième vitesse en présence d'odeurs fortes et de vapeurs, la deuxième vitesse dans des conditions normales et la première vitesse pour maintenir l'air propre en consommant peu d'énergie électrique.

Il est conseillé d'allumer la hotte au moment de commencer la cuisson et de la laisser fonctionner jusqu'à ce que les odeurs aient disparu.

G

FONCTIONNEMENT

1. COMMANDE À 2 TOUCHES

LUMIÈRE - Interrupteur A

Position 0 : la lumière est toujours éteinte.

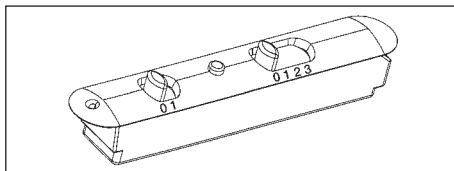
Position 1 : la lumière est toujours allumée.

VITESSE - Interrupteur B

Il permet d'allumer l'appareil et de régler la vitesse du moteur, de 1 à 3 selon les versions ou à l'aide d'un variateur continu de vitesse.

VOYANT - C

Voyant indiquant que le moteur fonctionne.



2. BOÎTIER DE COMMANDE À 5 TOUCHES

LUMIÈRE - Bouton

ON/OFF LUMIÈRE

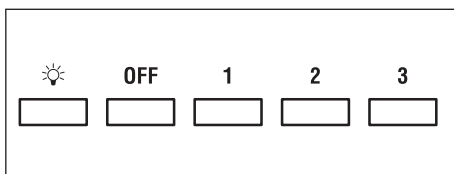
MOTEUR - Bouton 1, 2, 3, OFF

1 : fait démarrer le moteur à la vitesse minimale

2 : fait démarrer le moteur à la vitesse moyenne

3 : fait démarrer le moteur à la vitesse maximale

OFF : éteint le moteur



3. BOÎTIER DE COMMANDE ÉLECTRONIQUE

Bouton lumière

- ON : lumière allumée (bouton allumé) ;
- OFF : lumière éteinte ;

Bouton -

Cette touche permet de réduire la vitesse du moteur.

Les vitesses 1, 2 et 3 sont indiquées grâce au voyant correspondant qui s'allume, à l'exclusion du voyant lumière et de la minuterie.

Bouton +

Les vitesses 1, 2 et 3 sont indiquées grâce au voyant correspondant qui s'allume, à l'exclusion du voyant lumière et de la minuterie.

(Dans la version à 4 vitesses, la touche + a une lumière qui clignote.

La 4e vitesse (ou vitesse intensive) est temporisée et le moteur passe automatiquement à la 3e vitesse au bout d'environ 15 minutes).

Bouton mode

Fonction : marche et arrêt du moteur de la hotte.

La fonction **vitesse désirée** permet de mettre le moteur en marche à la dernière vitesse sélectionnée avant l'arrêt.

En option : *version avec télécommande (disponible uniquement sur certaines versions).*

AVERTISSEMENTS :

Placer l'appareil loin de sources d'ondes électromagnétiques pouvant interférer avec l'électronique de la hotte.

Distance maximale de fonctionnement 5 mètres. Cette distance peut varier en fonction des interférences électromagnétiques d'autres appareils.

Bouton lumière de la télécommande : on/off lumière.

Bouton - et + réduction/augmentation de la vitesse (pour mettre le moteur en marche, appuyer indifféremment sur la touche + ou sur la touche -.

Bouton minuterie : voir instructions ci-dessous.

Instruction changement de code (uniquement en cas de mauvais fonctionnement dû à des interférences) :

Débrancher l'appareil, enlever le couvercle de la télécommande, modifier le code en agissant sur les leviers, rebrancher l'appareil et vérifier si les lumières et les moteurs sont éteints.

Appuyer sur la touche minuterie pendant 2 secondes et sur une touche quelconque du boîtier de commande quand le voyant rouge de ce dernier s'allume.

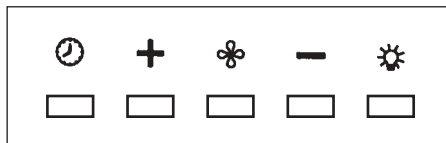
Bouton minuterie et saturation des filtres

- Cette fonction permet d'éteindre automatiquement la hotte au bout de 15 minutes de fonctionnement à la vitesse réglée précédemment (bouton avec lumière clignotante).

- Au bout d'environ 30 heures de fonctionnement, le bouton propose le lavage des filtres métalliques (il devient rouge).

Pour désactiver l'alarme, appuyer sur le bouton minuterie pendant quelques secondes jusqu'à ce que la lumière rouge s'éteigne.

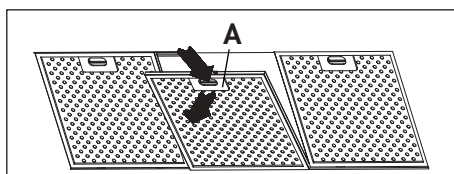
Éteindre ensuite la hotte et la rallumer pour voir si l'alarme a disparu.



H **FILTRES INSTRUCTIONS POUR LES ENLEVER ET LES REMPLACER**

1. FILTRES MÉTALLIQUES

Pour extraire le filtre métallique anti-graisse, il suffit d'agir sur la poignée A jusqu'à ce qu'il sorte du rail avant, l'incliner alors légèrement vers le bas et le faire sortir du rail arrière. Procéder de la même façon pour le remonter mais en sens inverse.



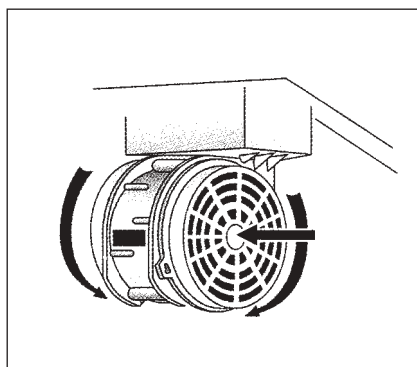
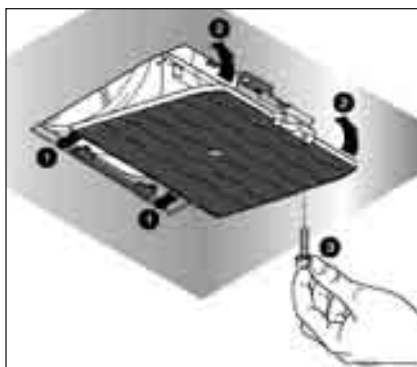
2. FILTRES AU CHARBON ACTIF

Procéder comme suit pour remplacer les filtres au charbon actif : enlever les filtres métalliques comme indiqué plus haut, ce qui permet d'accéder facilement aux deux filtres qui sont accrochés sur le côté droit et gauche du convoyeur.

Pour le montage/remplacement, voir la figure.

S'il s'agit d'une hotte avec logement pour le moteur, le filtre se trouve dans la partie inférieure de ce dernier. Pour le montage/remplacement, voir la figure.

Pour commander les filtres neufs, se servir du coupon joint à la notice ou s'adresser au distributeur.



3. PANNEAU REMOVIBLE

Suivez les instructions sur l'image. H3 pour enlever le panneau.

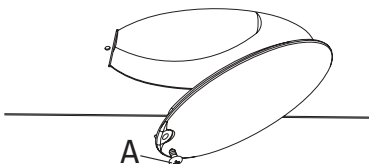
I

ÉCLAIRAGE MONTAGE ET REMPLACEMENT

1. PLAFONNIER

Pour remplacer l'ampoule ("Round halogen light"):

- S'assurer que l'appareil est débranché.
- Dévisser la vis de soutien A.
- Remplacer l'ampoule par une du même modèle que celle originale (max. 25 W, voir indication à proximité de l'ampoule).

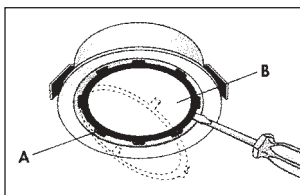


ATTENTION ! Les ampoules ayant une forme et un débit autre que celle originale pourraient abîmer sérieusement le logement de l'ampoule.

2. SPOT

Procéder comme suit pour remplacer l'ampoule ("Round halogen light"):

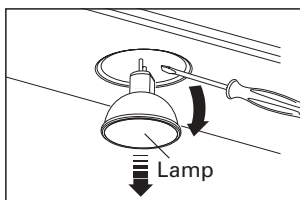
- S'assurer que l'appareil est débranché.
- Enlever l'anneau A qui soutient le verre en faisant levier avec un tournevis.
- Enlever le verre B pour accéder au logement de l'ampoule.
- Remplacer l'ampoule par une ampoule analogue (halogène max. 20 W, 12 Volt douille G4).
- Remonter le verre de protection B en le fixant avec l'anneau A prévu à cet effet.



Round halogen light

Pour remplacer la lampe "Dicroic lamp":

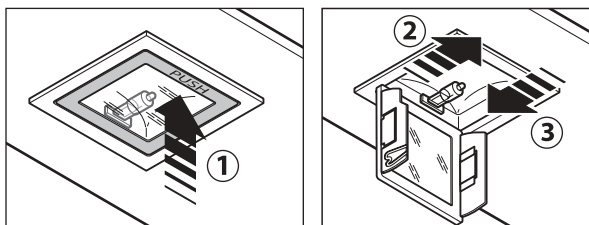
- S'assurer que l'appareil est bien débranché du réseau électrique.
- Enlever la lampe en utilisant un tournevis (voir figure)
- Remplacer la lampe par une lampe similaire (dichroïque max. 20 W, 12 Volt).



Dicroic spot

Pour remplacer la lampe du "Square halogen light":

- S'assurer que l'appareil est bien débranché du réseau électrique.
- Ouvrir complètement le panneau jusqu'à un angle de 90° (voir figure)** en appuyant sur PUSH
- Remplacer la lampe par une lampe similaire (halogène max. 20 W, 12 Volt culot G4).
- Refermer le panneau. Si le panneau ne se referme pas correctement, répéter l'opération du point b.



Square halogen light

3. LAMPE FLUORESCENTE *(partie destinée à un personnel qualifié)*

Remplacement du tube fluorescent:

- Débrancher l'appareil du réseau d'alimentation;
- Enlever l'éventuel panneau en acier en dévissant les vis de fixation. Extraire le tube fluorescent en le faisant tourner de 90°, et le remplacer par un tube présentant des caractéristiques analogues (8W-13W-21W-28W suivant le modèle);
- Rebrancher l'appareil au réseau d'alimentation.

L

ENTRETIEN ET NETTOYAGE

L'entretien constant garantit un bon fonctionnement et un rendement optimal dans le temps. Il faut faire très attention en particulier aux filtres métalliques anti-graisse et à ceux au charbon actif. Le nettoyage fréquent des filtres et du support correspondant évite à la graisse de s'accumuler sur la hotte, ce qui pourrait provoquer un incendie.

1. FILTRES ANTI-GRAISSE MÉTALLIQUES

Ils servent à retenir les particules de graisse en suspension. Il est donc conseillé de les laver chaque mois dans de l'eau chaude contenant un peu de détergent, en évitant de les plier. Attendre qu'ils soient bien secs avant de les remonter. Pour le démontage et le montage, voir les instructions au point H1. Répéter fréquemment l'opération.

2. FILTRES AU CHARBON ACTIF

Ils servent à retenir les odeurs présentes dans le flux d'air qui les traverse. L'air épuré suite aux passages successifs à travers les filtres est recyclé dans la cuisine.

Ne pas laver les filtres au charbon actif qui doivent être remplacés en moyenne tous les 3-4 mois (en fonction de l'usage). Pour remplacer les filtres au charbon actif, suivre les instructions du point H2.

3. NETTOYAGE EXTÉRIEUR DE LA HOTTE

Nettoyer la hotte avec un chiffon humide et un peu de détergent liquide neutre ou avec de l'alcool dénaturé.

Ne nettoyer qu'avec un chiffon souple trempé dans de l'eau contenant du savon neutre si la surface a subi un traitement anti-empainte (Fasteel), en ayant soin de rincer et d'essuyer soigneusement. Ne pas utiliser de produits contenant des substances abrasives, un chiffon rêche ni le type de chiffon pour nettoyer l'acier que l'on trouve généralement dans le commerce car cela abîmerait irrémédiablement le traitement superficiel de l'acier.

La surface définitivement abîmée de l'acier sera la conséquence directe du non-respect de ces indications.

La notice complète doit être conservée avec l'appareil.

Le fabricant décline toute responsabilité si ces indications ne sont pas respectées.

4. NETTOYAGE INTÉRIEUR DE LA HOTTE

Il est interdit de nettoyer les parties électriques ou celles relatives au moteur à l'intérieur de la hotte avec des liquides ou des solvants ;



Ne pas utiliser de produits contenant des substances abrasives. Toujours débrancher l'appareil avant d'effectuer les opérations indiquées plus haut.



SÉCURITÉ AVERTISSEMENTS



L'installation électrique est dotée d'un branchement à la terre comme reporté dans les normes de sécurité internationales ; elle est par ailleurs conforme aux normes européennes sur les parasites radio.

Ne pas relier l'appareil aux conduits d'évacuation des fumées dues à la combustion (chaudières, cheminées, etc.).

Vérifier si la tension du réseau correspond à celle indiquée sur la plaque qui se trouve à l'intérieur de la hotte.

La distance minimale de sécurité entre la table de cuisson et la hotte doit être d'au moins 65 cm (25,6").

Ne pas faire cuire avec une flamme « libre » en dessous de la hotte. Vérifier les friteuses durant l'emploi : l'huile surchauffée pourrait prendre feu.

- S'assurer que le local est suffisamment aéré s'il faut faire fonctionner la hotte en même temps que certains appareils qui utilisent le gaz ou autre comme combustible.
- Ne pas allumer de flammes libres en dessous de la hotte.
- Ne pas relier l'appareil aux conduits d'évacuation des fumées dues à la combustion (chaudières, cheminées, etc.).
- S'assurer que les normes en vigueur sur l'évacuation de l'air à l'extérieur du local sont respectées avant d'utiliser la hotte.



Débrancher l'appareil en enlevant la fiche ou en actionnant l'interrupteur général avant d'effectuer une opération de nettoyage ou d'entretien quelconque. Le fabricant décline toute responsabilité pour les accidents ou les dom-

mages directs ou indirects éventuels aux animaux domestiques ou aux biens dus au non-respect des indications reportées dans cette notice et concernant, en particulier, les avertissements sur le montage, l'emploi et l'entretien de l'appareil.

N GARANTIE

Votre nouvel appareil est couvert par la garantie. Les conditions de garantie sont reportées en entier au dos de cette notice.



Le fabricant décline toute responsabilité pour les inexactitudes, imputables à des erreurs d'impression ou de transcription, contenues dans cette notice. Il se réserve le droit d'apporter les modifications qu'il juge nécessaires ou utiles à ses produits, même dans l'intérêt de l'utilisateur, sans pour autant compromettre les caractéristiques essentielles relatives au fonctionnement et à la sécurité.

O INSTRUCTIONS DE MONTAGE HOTTE VISIÈRE

Phase 1

- Poser la barre de soutien (A Fig. O1) contre le mur, à une hauteur de la table de cuisson correspondant à la somme des cotes X+Y+265 mm.
- Vérifier l'alignement horizontal avec un niveau à bulle et marquer les 2 endroits où percer aux extrémités de la barre.
- Percer, mettre 2 chevilles expansibles \varnothing 8 mm et fixer la barre avec les vis correspondantes.

Phase 2

- Accrocher la hotte à la barre de soutien (Fig. O2).
- Régler l'alignement de la hotte à l'aide des vis prévues à cet effet sur les équerres de support (Fig. O2). La vis supérieure (B) règle la distance du mur, celle inférieure (C) le coulissement vertical.

Phase 3

- Pour éviter le décrochage de la hotte dû à la pression sous-jacente, fixez-la au mur avec une cheville à expansion et ses vis en utilisant les trous qui se trouvent à l'arrière de la hotte ou les étriers du couvercle.

Phase 4

- Rapprocher l'élément (G) de la cheminée jusqu'à ce qu'il soit bien placé.
- Enfiler la rallonge (H) dans l'élément (G), en la faisant coulisser pour atteindre la hauteur désirée.
- Après avoir trouvé la position optimale, poser la bride (L) contre le mur, vérifier l'alignement horizontal avec un niveau à bulle et marquer les 2 endroits où percer aux extrémités.
- Percer, mettre 2 chevilles expansibles \varnothing 4 mm et fixer la bride (L) avec les vis correspondantes.
- Visser la rallonge (H) à la bride (L) avec les vis (M).

ADVERTENCIAS

Es muy importante conservar este libro de instrucciones junto al aparato para cualquier consulta futura.

Si el aparato tuviera que ser vendido o traspasado a otra persona, asegúrese que el libro vaya incluido, de modo que el nuevo usuario pueda ponerse al corriente del funcionamiento de la campana y de las advertencias correspondientes.

Estas advertencias han sido redactadas para su seguridad y para la de los demás, les rogamos, por tanto, de leerlas atentamente antes de la instalación y la utilización del aparato.

Este aparato no debe ser usado por niños o personas enfermas a menos que no esten controladas por alguna persona responsable que se asegure que el aparato sea utilizado con seguridad.

Los niños deben controlados por alguna persona responsable que se asegure que no juegan con el aparato.

El montaje tiene que ser realizado por personal cualificado siguiendo la normativa nacional y local vigente en materia de seguridad.

Si el cable de alimentación está dañado, debe ser sustituido por el fabricante, por el Servicio Asistencia Técnica o por un personal cualificado con el fin de evitar posibles riesgos.

Cualquier modificación que se debiera realizar en el montaje eléctrico para instalar la campana debe ser supervisada por personal competente.

Es peligroso modificar o intentar modificar las características de esta instalación. En caso de reparación o mal funcionamiento del aparato, no intentar resolver el problema directamente.

Las reparaciones efectuadas por personas no cualificadas pueden provocar daños.

Para manipulaciones eventuales dirijase a un Centro de Asistencia Técnica autorizado.

Controlar siempre que todas las piezas eléctricas (luces, aspirador) queden apagadas cuando no se use el aparato. Leer todo el libro de instrucciones antes de efectuar ninguna operación en la campana.

El fabricante no se podrá considerar responsable en caso de operaciones no autorizadas. Asegúrese que la alimentación eléctrica de la instalación esté apagada durante las operaciones de instalación o de arreglo.

Antes de proceder a la instalación de la campana averigüe que la tensión de red corresponda a las especificaciones de voltaje, carga y circuito indicadas en la placa de los datos (detrás del filtro antigrasa).

El uso de la campana no puede ser otro que el aspirar humos de cocción en cocinas domésticas.

Cualquier uso diverso exime al fabricante de cualquier responsabilidad.

El peso máximo permitido de objetos eventualmente colocados o colgados (en su caso) sobre la campana no debe superar 1,5 kilos.

Una vez instaladas, las campanas en acero inoxidable deben limpiarse para

eliminar los residuos de plásticos protecto y eventuales manchas de grasa y aceite. Para esta operación aconsejamos la utilización de nuestro producto específico disponible a la venta.

La utilización de otra tipología de detergentes exime al fabricante de la responsabilidad de los daños que se puedan derivar.

B CARACTERÍSTICAS TÉCNICAS

Los datos técnicos del electrodoméstico están contenidos en las placas, situadas en la parte interior de la campana extractora.

C INSTALACIÓN

(Parte reservada exclusivamente a personas cualificadas).

Distancia mínima: distancia entre la superficie del soporte de los recipientes de cocción y la parte más inferior de la campana. Si la campana se coloca encima de un aparato de gas, esta distancia debe ser como mínimo 65 cm (25,6") (ver fig. C). Si las instrucciones de la placa de cocción a gas especifica una distancia mayor, necesita tenerlo en cuenta.

En la versión aspirante, el tubo de salida de los humos debe tener un diámetro no inferior al del empalme de la campana extractora. En los tramos horizontales, el tubo debe presentar una leve inclinación (del 10% aproximadamente) hacia arriba para transportar fácilmente el aire hacia el exterior del ambiente.

Reducir las curvas al mínimo, verificar que los tubos tengan una longitud mínima indispensable.

Respetar la normativa vigente sobre salida de humos al exterior.

En caso de usar a la vez otros utensilios (calefacción, estufas, chimeneas, etc) alimentadas a gas o con otros combustibles, proveer al local de una ventilación adecuada de aspiración de humos, según la normativa vigente.

Instrucciones de montaje de la campanas: punto "O".

D CONEXIÓN ELÉCTRICA

(Parte reservada exclusivamente a personas cualificadas).

ATENCIÓN!

Antes de efectuar cualquier operación en el interior de la campana extractora, desenchufe el aparato de la red eléctrica.

Asegúrese de no desconectar o cortar los hilos eléctricos en el interior de la campana extractora; si se producen estas circunstancias pongáse en contacto con el centro de asistencia más cercano. Para la conexión eléctrica solicite la intervención de personal cualificado.

Debe efectuar la conexión en conformidad con las disposiciones de ley en vigor. Controle que la válvula de sobrepresión y la instalación eléctrica puedan soportar la carga del aparato (véase la placa de las características técnicas en el punto B).

HAY QUE EQUIPAR ESTE APARATO DE UNA INSTALACIÓN DE PUESTA A TIERRA.

Importante: La campana está equipada de un cable de alimentación de 1,5 metros (5 pies) con un enchufe NEMA 5-15 para la conexión a una toma de 120 VAC, 60 Hz, 15 A. Hay que colocar esta toma en el área de cobertura del tubo de escape sobre la campana.

Algunos tipos de aparatos pueden equiparse con un cable sin clavija, en este caso, use un tipo de clavija «normalizado» teniendo en consideración que:

- debe utilizar el hilo amarillo/verde para la puesta a tierra.
- debe utilizar el hilo azul/blanco para el neutro.
- debe utilizar el hilo marrón/negro para la fase, el cable no debe entrar en contacto con partes calientes con temperaturas superiores a los 75 °C.
- monte en el cable de alimentación un enchufe apto para la carga que debe conectar a una clavija de seguridad adecuada.

Si las disposiciones locales lo permiten, es posible remover el cable de alimentación y conectar la campana a una conexión eléctrica con hilo.

En caso de dudas sobre la conexión de la instalación a la red eléctrica se aconseja consultar a un electricista autorizado.

El cable de tierra amarillo / verde no debe ser interrumpido por el interruptor.

Antes de proceder a la conexión, controle que:

- la tensión de alimentación corresponda a la indicada en la placa de las características técnicas.
- la toma de tierra sea correcta y funcione.
- el equipo de suministro esté equipado con una conexión de tierra eficaz según las normas en vigor.
- la toma o el interruptor omnipolar usados sean fácilmente accesibles con la instrumentación instalada.

El fabricante declina cualquier responsabilidad en caso de no respetar las normas para la prevención de accidentes.

E

CAMPANA EXTRACTORA EN LA VERSIÓN CON EVACUACIÓN EXTERIOR (aspirante)

En esta versión los humos y los vapores de la cocina son transportados hacia el exterior mediante un tubo de salida.

El tubo de salida que sobresale por la parte superior de la campana extractora debe estar acoplado a un tubo que conduce los humos y los vapores hacia una salida exterior. En esta versión, quite los filtros de carbón activo, si presentes, para la extracción consulte las instrucciones facilitadas en el punto F. Cuando la campana extractora de cocina se utiliza contemporáneamente con otros aparatos que emplean gas u otros combustibles, el local debe disponer de una ventilación suficiente.

Indicación para Alemania:

Si la campana y los aparatos se alimentan con energía diferente a la eléctrica están en funcionamiento simultáneo, la presión negativa del local no debe superar los 4 Pa (4×10^{-5} bar).

F

CAMPANA EXTRACTORA EN LA VERSIÓN CON RECICLADO INTERIOR (filtrante)

En esta versión el aire pasa a través de los filtros de carbón activo para ser purificado y ser reciclado en el ambiente de la cocina.

Controle que los filtros de carbón activo estén montados en el motor, en caso contrario debe montarlos siguiendo las instrucciones del punto H.

Si la campana está preparada para versión filtrante quitar la válvula antiretorno montada en la salida del motor.



Para obtener el mejor rendimiento le aconsejamos utilizar la tercera velocidad en presencia de fuertes olores y vapores, la segunda velocidad para condiciones normales y la primera velocidad para mantener el aire limpio con bajos consumos de energía eléctrica. Le aconsejamos encender la campana extractora cuando empiece a cocer y no apagarla hasta la desaparición de los olores.

G

FUNCIONAMIENTO

1. MANDO DE 2 TECLAS

LUZ – Interruptor A

Posición 0: la luz permanecerá siempre apagada.

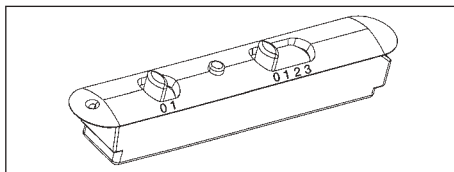
Posición 1: la luz permanecerá siempre encendida.

VELOCIDAD – Interruptor B

Permite encender y regular las velocidades de ejercicio del motor, en función de las versiones de 1 a 3 o mediante un variador continuo de velocidad.

PILOTO – C

Gema piloto de funcionamiento de los motores.



2. BOTONERA DE 5 TECLAS

LUZ – Pulsador

Pulsado: la luz permanecerá siempre encendida.

Sin pulsar: la luz permanecerá siempre apagada.

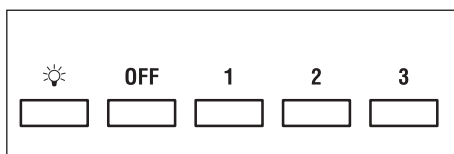
MOTOR – Pulsador 1, 2, 3 OFF

1: pone en marcha el motor a la velocidad mínima.

2: pone en marcha el motor a la velocidad intermedia.

3: pone en marcha el motor a la velocidad máxima.

OFF: apaga el motor.



3. BOTONERA ELECTRÓNICA

Pulsador de la luz

- ON: luz encendida (pulsador iluminado);
- OFF: luz apagada;

Pulsador -

Pulsando la tecla se reduce la velocidad del motor

La velocidad 1, 2 y 3 se visualiza en el n° de led encendido, excluyendo el led de la luz y del timer.

Pulsador +

Pulsando la tecla se aumenta la velocidad del motor

La velocidad 1, 2 y 3 se visualiza en el n° de led encendido, excluyendo el led de la luz y del timer (en la versión a 4ª velocidad, el pulsador + presenta una luz intermitente. La 4ª velocidad o intensiva se temporiza y después de 15 minutos aproximadamente, el motor pasa automáticamente a 3ª velocidad.

Pulsador de modalidad

Función: encendido y apagamiento del motor de la campana.

La función velocidad deseada permite arrancar el motor con la última velocidad seleccionada antes del apagamiento anterior.

Opcional: *versión con telemando (sólo disponible en algunas versiones).*

ADVERTENCIAS:

Posicionar el aparato lejos de fuentes electromagnéticas que podrían interferir con la electrónica de la campana.

Distancia máxima de funcionamiento de 5 metros. Esta distancia puede variar en defecto en función de las interferencias electromagnéticas de otros aparatos.

Luz pulsador del temando: ON/OFF

Pulsador – y + disminución/incremento velocidad (para arrancar el motor pulsar indiferentemente pulsador + ó –

Pulsador timer: ver instrucciones a continuación

Instrucción de cambio de código (sólo en caso de mal funcionamiento debido a interferencias):

Desenchufar el aparato de la red eléctrica

Abrir la cubierta del telemando, modificar el código accionando sobre la leva.

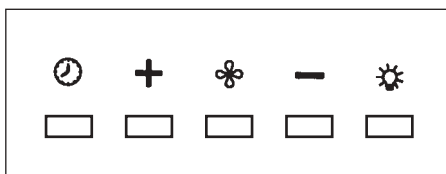
Enchufar el aparato a la red eléctrica y verificar que luces y motor estén apagados.

Pulsar la tecla timer durante 2 segundos y cuando se ilumine el led rojo de la botonera apretar una tecla cualquiera de la botonera.

Pulsador del temporizador y de saturación de los filtros

• Esta función permite el apagamiento automático de la campana después de 15 minutos de funcionamiento a la velocidad planteada anteriormente (pulsador con luz parpadeante).

• Después de 30 horas de funcionamiento aproximadamente el pulsador propone el lavado de los filtros metálicos (pulsador iluminado de rojo). Para desactivar la alarma pulsar el pulsador por algunos segundos hasta que la luz roja se apaga. A continuación pare la campana y vuelva a ponerla en marcha para comprobar que la alarma ha quedado anulada.

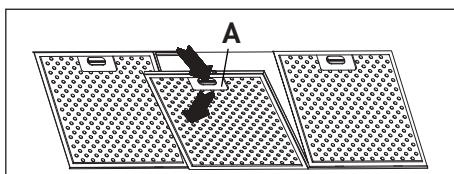


H

FILTROS INSTRUCCIONES PARA LA EXTRACCIÓN Y LA SUSTITUCIÓN

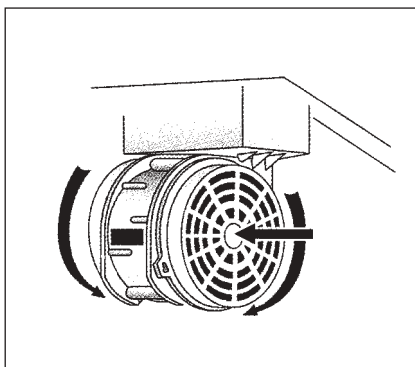
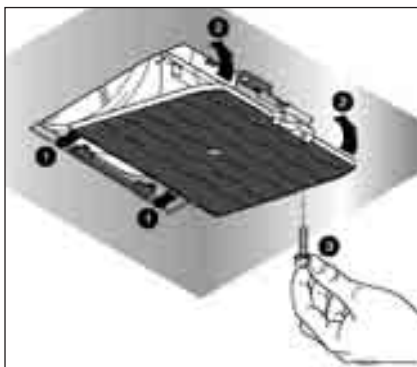
1. FILTROS METÁLICOS

Para extraer el filtro metálico antigrasa sólo debe actuar en la manilla A hasta hacerlo salir por la gu'ía delantera; incline ligeramente el filtro hacia abajo y, hágalo salir por la gu'ía trasera. Para su colocación invierta la operación A.



2. FILTROS DE CARBÓN ACTIVO

Para sustituir el filtro de carbono proceder de la forma siguiente: saque el filtro metálico como se indica arriba. De este modo se accede fácilmente a los 2 filtros que están sujetos a los lados, derecho e izquierdo del motor. Para el montaje ver figura. En el caso de campanas con cajón motor el filtro está posicionado en la parte inferior del mismo cajón. Para la sustitución ver figura. Para pedir los nuevos filtros, use el cupón adjunto al libreto o diríjase al distribuidor.



3. PANEL DESPRENDIBLE

Para quitar el panel seguir las instrucciones fig. H3.

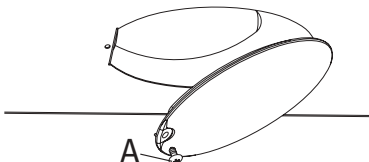
I

ILUMINACIÓN MONTAJE Y SUSTITUCIÓN

1. LÁMPARA

Para sustituir la bombilla:

- Asegurarse que el aparato está desconectado de corriente eléctrica.
- Quitar el tornillo de sujeción A y quitar el cubrelámparas.
- Sustituir la bombilla con una del mismo modelo que la original (máx 25 W, ver indicación en la bombilla).

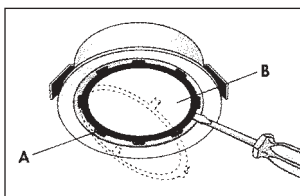


ATENCIÓN! Lámparas de forma y potencia diferentes a las de la original podrían estropear seriamente el vano iluminación.

2. FARO

Para sustituir la lámpara ("Round halogen light"):

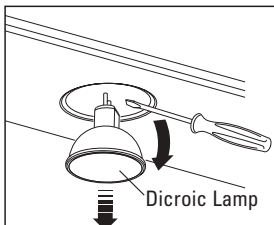
- Asegúrese de que el aparato no esté enchufado a la red eléctrica.
- Quite, haciendo palanca con un destornillador, el anillo de sujeción del cristal A.
- Quite el cristal B, para acceder al vano lámpara.
- Sustituya la lámpara por una análoga (halógena máx 20 W, 12 Volt enganche G4).
- Monte de nuevo el cristal de protección B fijándolo con el anillo específico A.



Round halogen light

Para sustituir la lámpara dicróica:

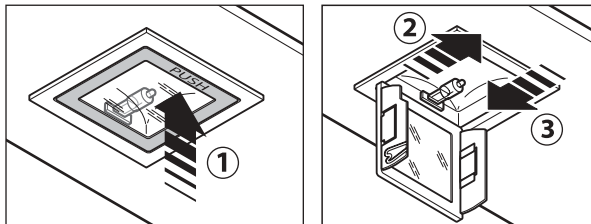
- Asegurarse que el aparato está desconectado de la red eléctrica
- Quitar la lámpara utilizando un destornillador (ver figura)
- Sustituir la lámpara por una similar (dicróica max 20 W, 12 Volt)



Para sustituir la lámpara halógena cuadrada:

- Asegurarse que el aparato está desconectado de la red eléctrica
- Abrir completamente la ventanilla hasta un ángulo de 90° (ver figura) apretando en PUSH**

- c) Sustituir la lámpara por una similar (dicroica max 20 W, 12 Volt conexión G4)
- d) Cerrar la ventanilla. Si la ventanilla no se cierra correctamente repetir la operación del punto B)



Square halogen light

3. FLUORESCENTE *(Parte reservada por personal cualificado).*

Substitución del tubo fluorescente:

- a) Asegurarse que el aparato está desconectado de corriente eléctrica;
- b) Quitar el panel de acero desatornillando los tornillos de fijación; Sustituir el fluorescente por uno del mismo modelo que el original (8W-13W-21W-28W según el modelo);
- c) Volver a conectar el aparato a la red eléctrica.

L

MANTENIMIENTO Y LIMPIEZA

Un mantenimiento constante garantiza un buen funcionamiento y un buen rendimiento a lo largo del tiempo. Preste una atención especial a los filtros metálicos antigrasa y a los filtros de carbón activo, en efecto la limpieza frecuente de los filtros y de sus soportes garantiza que no se acumulen grasas, que son peligrosas por la facilidad de incendio, en la campana extractora.

1. FILTROS ANTIGRASA METÁLICOS

Su función es retener las partículas grasas en suspensión, por lo tanto le aconsejamos lavarlos mensualmente en agua caliente y detergente sin plegarlos. Espere hasta que estén perfectamente secos para remontarlos. Para las operaciones de desmontaje - montaje le rogamos consultar las instrucciones facilitadas en el punto H1. Le recomendamos efectuar esta operación con una frecuencia constante.

2. FILTROS DE CARBÓN ACTIVO

Su función es retener los olores presentes en el flujo del aire que pasa por ellos. El aire depurado, mediante sucesivos pasajes a través de los filtros, retorna al ambiente cocina. Los filtros de carbón activo no pueden lavarse y deben sustituirse en media cada 3 – 4 meses (depende también del uso). Para la sustitución de los filtros de carbón activo, siga las instrucciones facilitadas en el punto F.

3. LIMPIEZA EXTERIOR

La limpieza de la campana debe hacerse con un paño húmedo con jabón líquido neutro o con alcohol desnaturalizado.

En el caso de material con tratamiento antihuellas (FASTEEL) la limpieza se debe efectuar sólo con agua y jabón neutro utilizando un paño sua-

ve, siendo importantísimo enjuagar y secar bien. No se deben utilizar productos que contengan sustancias abrasivas, paños con superficies ásperas o paños que se adquieren en el comercio para la limpieza del acero. La utilización de sustancias abrasivas o paños ásperos dañarán irreparablemente el tratamiento superficial del acero.

La consecuencia directa de no respetar estas indicaciones será el deterioro irreversible de la superficie del acero.

Estas indicaciones deben conservarse junto al libro de instrucciones de la campana.

El fabricante declina cualquier responsabilidad en el caso de no respetarse estas instrucciones.

4. LIMPIEZA INTERIOR

Se prohíbe limpiar las partes eléctricas o las partes relativas al motor del interior de la campana extractora, con líquidos o solventes.



No use productos que contengan sustancias abrasivas. Realice todas estas operaciones desenchufando previamente el aparato de la red eléctrica.



SEGURIDAD ADVERTENCIAS



La instalación eléctrica está equipada de toma de tierra de acuerdo a las normas internacionales de seguridad y conforme a la normativa Europea de compatibilidades electromagnéticas.

No conectar el aparato a conductos de salida de humos derivados de combustión (calefacción, chimeneas, etc). Verificar que la tensión de la red eléctrica corresponde a la que indica la etiqueta localizada en el interior de la campana. La distancia mínima de seguridad desde la encimera a la campana debe ser de al menos 65 cm (25,6”).

No cocinar a fuego “abierto” bajo la campana. Controlar las freidoras durante su uso, el aceite recalentado puede incendiarse.

Asegurarse que haya una ventilación adecuada en la estancia si la campana se utiliza junto con otros aparatos que usan combustión a gas u otros.

No encender fuego abierto bajo la campana

No conectar el aparato a conductos de salida de humos derivados de la combustión (calefacciones, chimeneas, etc)

Asegúrese que se cumple la normativa vigente sobre salida de humos al exterior del local antes del uso de la campana.



Antes de proceder a cualquier operación de limpieza o mantenimiento, apagar el aparato desenchufándolo o accionando el interruptor general. El fabricante declina cualquier responsabilidad por eventuales daños que pudieran, directa o indirectamente, ser causados a personas, cosas o animales domésticos derivados de la omisión de las prescripciones indicadas en el libro de instrucciones adjunto y concernientes especialmente, a las indicaciones en tema de instalación, uso y mantenimiento del aparato.

N

GARANTÍA

La nueva instrumentación está cubierta por una garantía.
Recurrir al distribuidor.



El fabricante no responde por las posibles inexactitudes, imputables a errores de imprenta o de transcripción, contenidas en este manual. Se reserva el derecho de poder aportar a los propios productos aquellas modificaciones que considere necesarias o útiles, sin perjudicar las características esenciales de funcionalidad y de seguridad.

O

INSTRUCCIONES DE MONTAJE DE LA CAMPANAS CON BOX

Fase 1

- Apoye la barra de apoyo (A - Fig. O1) en las paredes a una altura de la encimera obtenida por la suma de las cotas $X+Y+310$ mm.
- Controle con un nivel de burbuja la alineación horizontal y marque los 2 puntos a taladrar en las extremidades de la barra .
- Taladre, coloque los 2 tacos de expansión \varnothing 8mm y fije la barra con los tornillos relativos.

Fase 2

- Enganche la campana extractora en la barra de apoyo (Fig. O2).
- Regule la alineación de la campana extractora mediante los tornillos con placa (Fig. O2). El tornillo superior (B) regula la distancia hasta la pared y el inferior (C) el deslizamiento vertical.

Fase 3

- Para evitar que la campana se desenganche a causa de una presión desde abajo, fijarla a la pared con un taco de expansión y el correspondiente tornillo. Para ello, utilizar los orificios específicos de la parte posterior de la campana o los soportes de la tapa.

Fase 4

- Acerque el elemento (G) a la chimenea hasta colocarlo completamente.
- Introduzca en el elemento (G) la sección final (H) deslizándola hasta llegar a la altura deseada.
- Una vez hallada la posición óptima, apoye el estribo (L) en la pared, controle con un nivel de burbuja la alineación horizontal y marque los 2 puntos para los agujeros en las extremidades.
- Taladre, introduzca los 2 tacos de expansión \varnothing 4 mm y fije el estribo (L) con los tornillos relativos.
- Atornille con los tornillos (M) la sección final (H) en el estribo (L).



